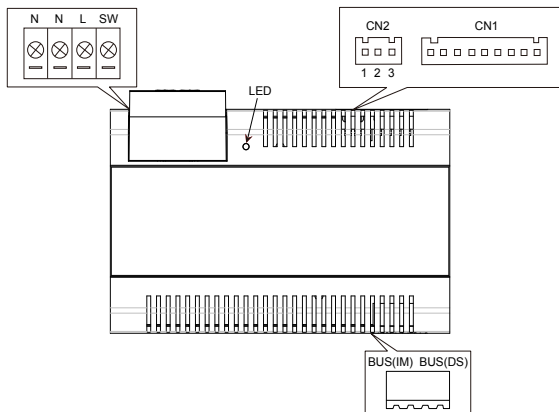


1. Introduction:

The SVT-2 PC6 is a power combo designed for the SVT-2 systems. It supplies power for the outdoor stations, indoor monitors and other accessories. It supports up to 8 indoor monitors.

- Universal AC input/full range
- Multi protection: short circuit, overload, over voltage
- Integrated with SVT-2 DPS (power distributor). Additional SVT-2 DPS is not needed.
- DIN rail mounting

2. Terminal Description:



N: AC input.

L: AC input.

SW: switch terminal.

LED: power indicator.

CN2: normal power comb or auxiliary power comb selection terminal. Please refer to part 4.

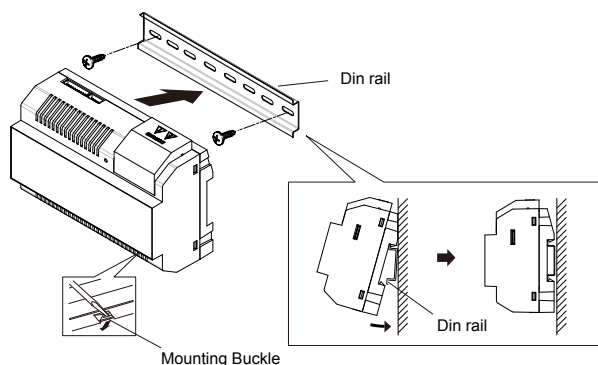
CN1: bus control terminal.

BUS(IM): indoor monitor connection terminal.

BUS(DS): door station connection terminal.

3. Mounting:

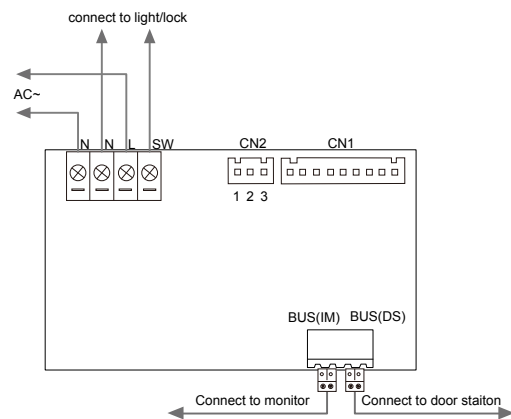
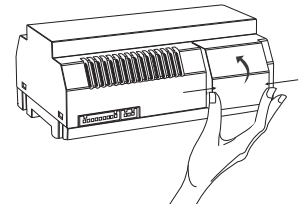
Step1: Mount the din rail to the wall with screws ;
Step2: Pull down the mounting buckle, then hang the unit on din rail.



4. Wiring:

Open the AC cover:

1. Push the cover bottom towards the center with your hand;
 2. Turn over and pull it out.
- After connect the AC cable, it is suggested to close the cover.



Note:

1. The AC cable is not included in the package as it must comply with each countries' requirements.
2. If N,SW terminal is connected to light or lock, CN1 terminal must connect SC6 controller to support this function.
3. Pin1&2 should be short-circuited with a C3-3P line(included in the package) if the unit work as a normal power comb. But if it work as a auxiliary power comb, pin 1&2 should be taken off.

5. Specifications:

Input Voltage:	100~240Vac
Input Frequency:	50~60Hz
Rated Output Voltage:	DC 28V±2V
Rated Output Current:	1.5A
Working Temperature:	-10°C~50°C
SW Port Input Voltage:	Max.230Vac, 2A
Dimension:	140*90*60mm